

*Speedy*

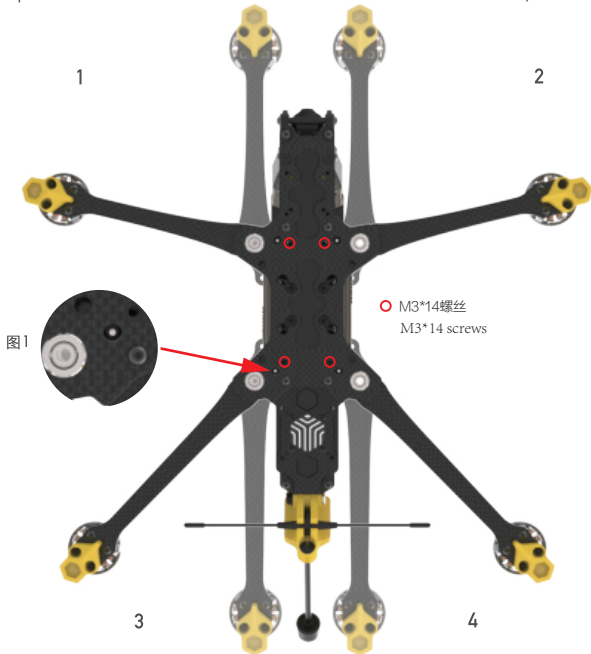
***MARIO*** *Fold 8 DC*

使用说明 Operation instructions

## 起飞前准备 Preparations Before Flying the Mario

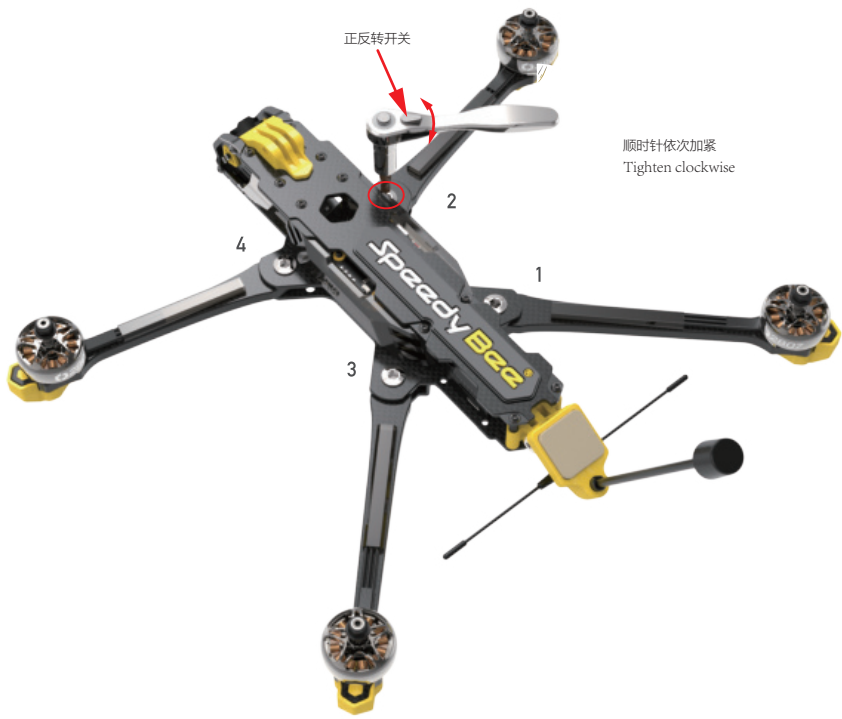
步骤一：依次将机臂转到对应的位置，此时定位 钢珠如图1所示（如长期使用快收功能，可在机臂展开后，安装上随机配送的4颗M3\*14mm 螺丝。

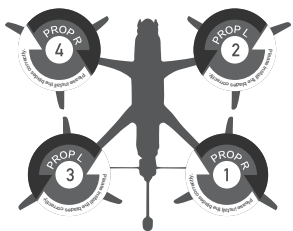
Step One: Rotate the frame arms to their corresponding positions one by one. At this point, the positioning steel balls should be as shown in the picture below (if the quick folding function is not used often, you can install the provided four M3\*14mm screws after the frame arms have been rotated).



步骤二:使用H3六角扳手依次加紧1-4 M10螺丝。

Step Two: Use the H3 hex wrench to tighten clockwise the four M10 screws.





步骤三：按图示方式正确安装并锁紧桨叶。

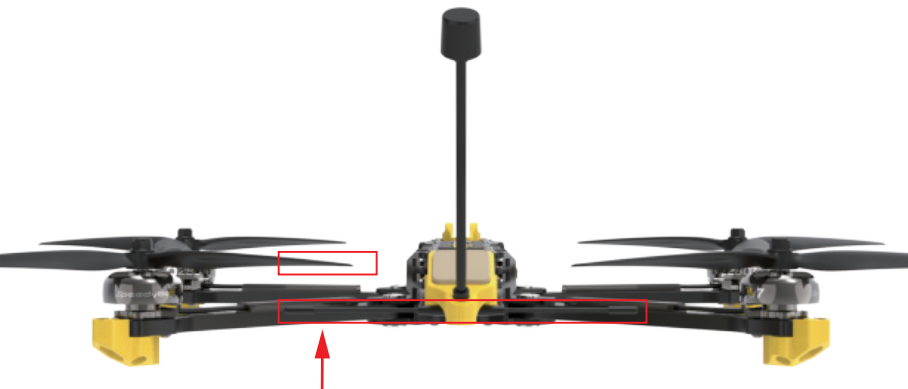
Step Three: Properly install and lock the propellers as shown in the picture.



顺时针依次锁紧  
Lock clockwise

调整天线以确保天线桨叶之间无干涉

Adjust the angle of the antenna mount to ensure that the receiver antenna does not interfere with the propellers.



调整T型天线的位置

Adjust the position of the T-shaped antenna

侧盖保护板的开启方法

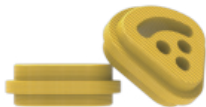
Method for opening side protective plate



19、20mm宽度摄像头的安装。安装标准为摄像头及安装件内侧总宽度为23mm，仅需反转，便可更换尺寸。

Installation of 19mm and 20mm wide cameras.

The standard installation width for the camera and mounts is 23mm in total inside. Flip the mounts to resize easily.



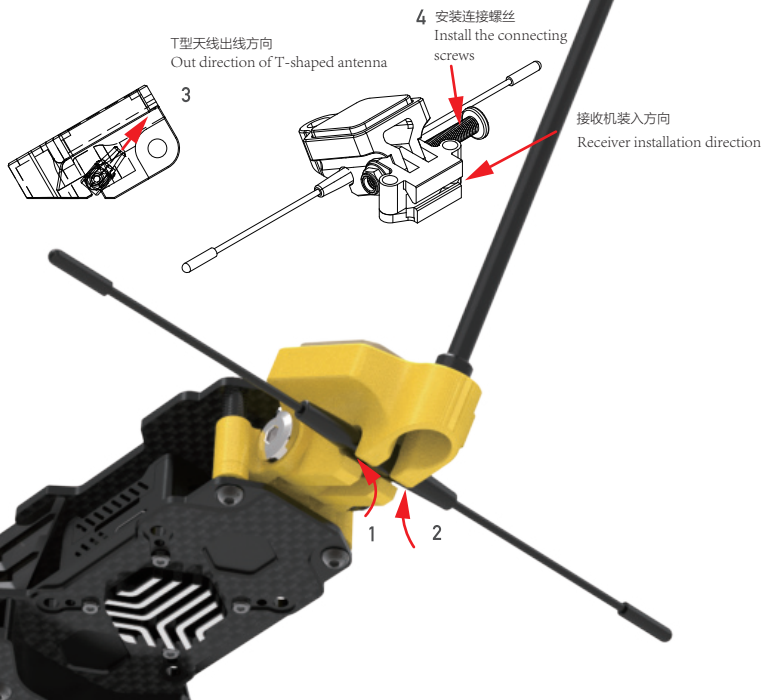
凤凰2 (19mm) (2+19+2)mm



DJI O3 (20mm) (1.5+20+1.5) mm

T型天线的安装。(安装前,先拆开顶板及连接天线座的螺丝)

Installation of T-shaped antennas. (Before installation, first remove the screws connecting the top plate and the antenna mount.)





天线的安装两种方式  
Two ways to install the antenna



装固定好的天线往天线座内推入  
Push the fixed antenna into the antenna mount